

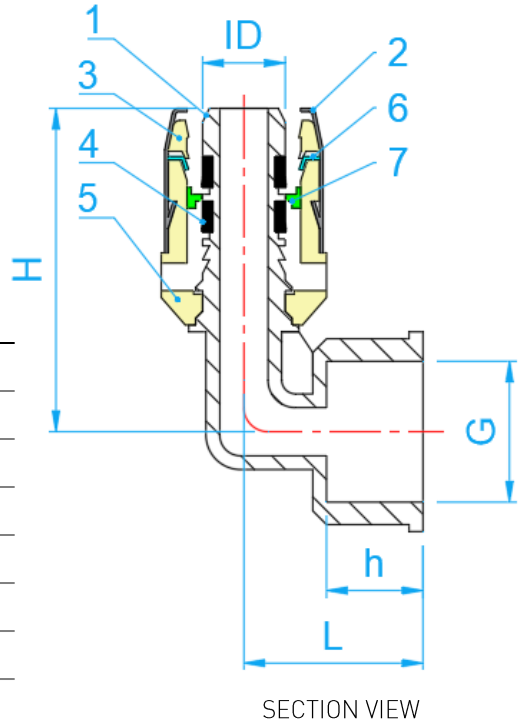
PEX MULTI LAYER PIPES AND FITTINGS



COMPLY WITH BS EN ISO 21003-1:2008
 BS EN ISO 21003-3:2008
 BS EN ISO 21003-5:2008
 BS EN 12165:2016
 AS/NZS 4020:2005
 SS 375:2015



F6 PUSH-FIT PEX FI ELBOW



COMPONENT PARTS

ITEM	PARTS	MATERIAL
1	Body	DZR Brass
2	Collet Retainer	AISI304
3	Spacer	POM
4	Seal Ring	EPDM
5	Collet	PPSU (Polyphenylene Sulfone Resin)
6	Grab Ring	AISI316
7	Indicator Ring	HDPE (High Density Polyethylene)

DIMENSIONS

SKU	SIZE (mmxinch)	ID (mm)	G BSP (inch)	h (mm)	L (mm)	H (mm)	WEIGHT (kg)	PCS/CTN
PEXF6FIE01616	16X1/2"	11.80	1/2"	15	26	47	0.082	96
PEXF6FIE01620	16X3/4"	11.80	3/4"	16	27	50	0.099	112
PEXF6FIE02016	20X1/2"	15.80	1/2"	15	27	49	0.102	80
PEXF6FIE02020	20X3/4"	15.80	3/4"	16	28	51	0.112	80
PEXF6FIE02520	25X3/4"	19.75	3/4"	16	30	56	0.160	72
PEXF6FIE02525	25X1"	19.75	1"	18	32	60	0.195	72
PEXF6FIE03220 *	32X3/4"	25.75	3/4"	16	33	62	-	-
PEXF6FIE03225	32X1"	25.75	1"	18	34	66	0.251	48
PEXF6FIE03232	32X1 1/4"	25.75	1 1/4"	19	34	71	0.279	40

*This item requires special ordering. Please consult with a salesperson for the estimated lead time.